

# SÜDMO NON-RETURN VALVES

## RELIABLE PREVENTION OF BACKFLOW

### PRODUCT INFORMATION

---



#### CHALLENGE

---

Do you have areas in your process plant where backflow of media must be prevented? If so, are looking for an easy to integrate, robust, durable and easy to maintain simple solution that doesn't require pneumatic actuation or automation? The component should be?

#### SOLUTION

---

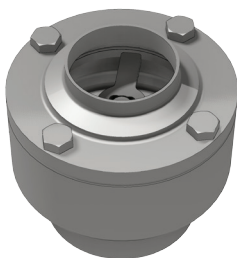
Pentair Sudmo's Non-return Valves meet these exact requirements. The valves feature a hygienic design and use seal materials that conform to FDA requirements. Only O-rings with leak-proof grooves are used in the valves.

The minimum number of sealing elements in the product space, optimum valve plate guidance with outside pins and valve plate centering without additional guidance elements top off the Pentair Sudmo design. The design assures good running properties in flowthrough, long service life and easy maintenance.

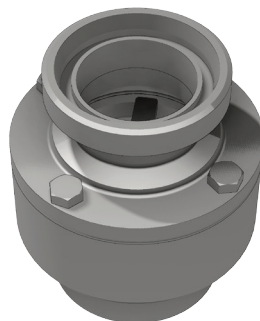
#### BENEFITS

---

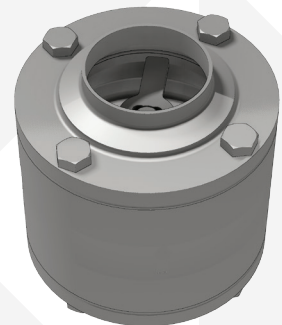
- Hygienic design for optimized cleanability
- Low set pressure of 0.04 bar (0.6 psi)
- Horizontal and vertical installation options
- Easy to remove from the pipe line
- No special tools required for service
- Very good CV values



TYPE P740  
(male / welding end)



TYPE P741  
(2 x male)



TYPE P750  
(Sandwich style between small flanges design)

# SÜDMO NON-RETURN VALVES

## RELIABLE PREVENTION OF REFLOWS

### PRODUCT INFORMATION

#### TECHNICAL SPECIFICATIONS

##### MATERIAL

**Product contact area**  
1.4404 (AISI 316L)

**Non-product contact area**  
1.4301 (AISI 304) / 1.4307 (AISI 304L)

##### Seals\*

Elastomers: EPDM  
Optional: FKM/HNBR

\*All seal qualities are FDA-compliant

##### OPERATING TEMPERATURES

**for EPDM seals**  
+ 130° C (266° F) continuous  
+ 150° C (300° F) brief steam sterilization

##### PRESSURES

**Product pressure**  
10 bar (145 psi)

**Set pressure**  
0.04 bar (0.6 psi) differential pressure

**Pressure (completely open)**  
0.08 bar (1.2 psi) differential pressure

##### SURFACES

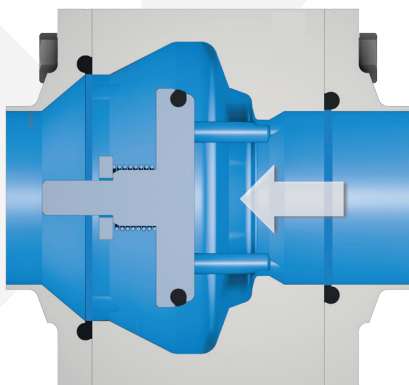
**Product contact** Ra ≤ 0.8 µm  
**Non-product contact** Ra ≤ 1.6 µm  
**Optional**  
High-quality surface finish, electro-polished

##### CONNECTIONS

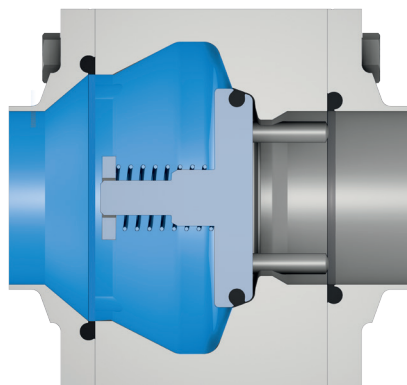
**DN 10-150**  
DIN 11850-2 (DIN 11866 Reihe A)

**OD 0.5"-6.0"**  
ASTM A270 (ASME BPE-2009 /  
DIN 11866-C)

#### FUNCTIONALITY



Valve position: open



Valve position: closed



##### PENTAIR SÜDMO GMBH

INDUSTRIESTRASSE 7, 73469 RIESBÜRG, GERMANY WWW.SUEDMO.DE

All Pentair trademarks and logos are owned by Pentair. All other brand or product names are trademarks or registered marks of their respective owners. Because we are continuously improving our products and services, Pentair reserves the right to change specifications without prior notice.

Pentair is an equal opportunity employer.

ID-No.: 2222511 - Non-Return Valves E-1 /15 © 2015 Pentair - All Rights Reserved.