



SÜDMÖ SD ECONOMIC DOUBLE SEAL VALVES

DOUBLE SEAL VALVES SD ECONOMIC

DESCRIPTION

The design of the SD Economic is based on many years of experience in valve construction and production. Pentair Südmö's SD Economic is a cost effective yet technologically-sophisticated alternative to liftable and balanced double-seat valves.

FUNCTIONALITY

SD stands for single-disc Seat valve with Double seal functionality. With this type of valve, two incompatible media (e.g. CIP and product) can be separated in the pipelines without mixing. This is ensured by two separate seals, between which an open air space enables any potential leaks to be detected and removed.

Additionally, the leakage chamber can be externally flushed by two valves fitted on each side.



Benefits of SD Economic Double Seal Valves

- Economic and compact alternative to liftable and balanced double-seat valves
- High protection against mixing through innovative positioning of seat seals
- Simple integration of flush/leakage valves into the equipment without welding
- Maintenance - easy, fast and safe
- Optional sterile barrier for critical products

DOUBLE SEAL VALVES APPLICATION EXAMPLES



WIDE RANGE OF APPLICATION

Products

- Water - Beverages
- Beer - Spirits - Wine
- Food - Liquid Egg - Dairy Products

Applications

- Distribution of liquid products
- Distribution of CIP media
- Separation of product areas to CIP-supply and CIP-return

Meets the following market requirements

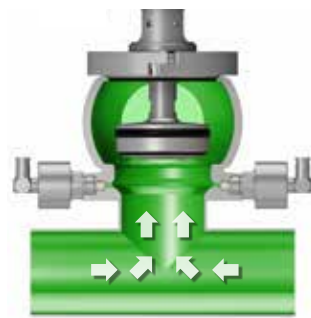
- Mix proof valve with low CAPEX and OPEX
- Safe separation of incompatible media in production
- Quick and safe cleaning in CIP process
- Minimized downtime and maintenance cycles

SÜDMO SD ECONOMIC VALVE FUNCTIONS



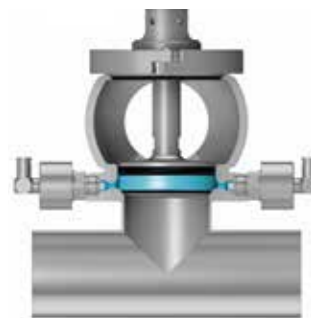
Valve position "Closed"

- Two incompatible media are separated without mixing (e.g. CIP and product)
- Flush/leakage valves open with spring force
- Any potential leaks are detected and removed



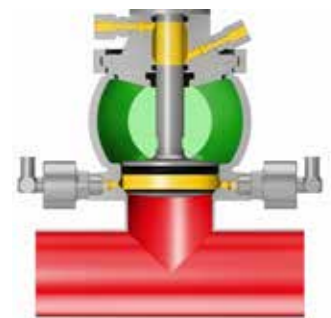
Valve position "Open"

- Upper and lower lines connected
- Flush/leakage valve closed with air pressure
- Recommended direction of flow during closing procedure (see arrows)



Flushing of the leakage chamber

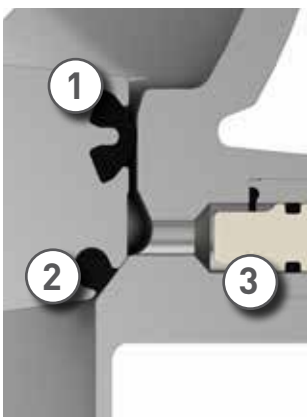
- 180° offset positioning of flush valve prevents cleaning shadows



Sterilization

- Sterilization of seat area over flush valve
- Sterilization of stem area with optional sterile chamber

INNOVATIVE SEALING SOLUTION: SAFE - DURABLE - EASY MAINTENANCE



1. RSC (Radial Seal Complete) seal as radial sealing element

- Small contact area (optimized friction characteristics)
- Very good swelling compensation

2. O-ring as axial sealing element

- Metallic stop to protect against excessive stress

3. PEEK as sealing of leakage outlet

- Sealing close to product area

TECHNICAL SPECIFICATIONS

MATERIAL

Product contact area
1.4404 (AISI 316L)

Non-product contact area
1.4301 (AISI 304)

Optional
High-quality materials

Seals*
EPDM / HNBR / FKM

*All seal qualities are FDA-compliant

PRESSURES

Control air pressure
Standard 6 bar (87 psi) – 8 bar (116 psi)

Operating pressure
Standard
DN 25-100/1.0''-4.0'' 6 bar (87 psi)
DN 125-150/5.0''-6.0'' 5 bar (72.5 psi)
Optional (for EPDM seals)
DN 25-100/1.0''-4.0'' 10 bar (145 psi)

SURFACES

Product contact Ra ≤ 0.8 µm

Non-product contact Ra ≤ 1.6 µm

Optional
High-quality surface finish, electro-polished

CONNECTIONS

Pipe connections in accordance with
- DIN 11850-2 (DIN 11866-A)
- ASTM A270 (DIN 11866-C) (ASME BPE-2009)

OPERATING TEMPERATURES

EPDM

Standard



Hot water
+95 °C (203 °F) continuous

Steam
+130 °C (266 °F) continuous
+150 °C (300 °F) brief sterilization (15-20 minutes)

Cold water
+1 to +2 °C (33.8 – 35.6°F) continuous

HNBR

optional



Hot water
+95 °C (203 °F) continuous

Steam
+121 °C (250 °F) continuous
+140 °C (284 °F) brief sterilization (15-20 minutes)

Cold water
+1 to +2 °C (33.8 – 35.6°F) continuous

FKM

optional

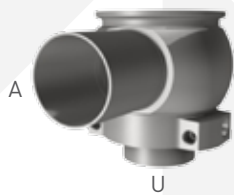


Hot water
+80 °C (176 °F) continuous

Steam
+121 °C (250 °F) brief sterilization (15-20 minutes)

Cold water
+1 to 2 °C (33.8 – 35.6°F) continuous

HOUSING VARIANTS



SD 370



SD 371

FEEDBACK SYSTEMS



Position indicator ON/OFF

- Proximity sensor M12
- Hand guard prevents injuries



IntelliTop 2.0 control top

- Decentralized control unit
- Valve actuation system
- Position monitoring
- Valve/PLC interface



PENTAIR SÜDMO GMBH

INDUSTRIESTRASSE 7, 73469 RIESBÜRG, GERMANY WWW.SUEDMO.DE

All Pentair trademarks and logos are owned by Pentair. All other brand or product names are trademarks or registered marks of their respective owners. Because we are continuously improving our products and services, Pentair reserves the right to change specifications without prior notice.

Pentair is an equal opportunity employer.

ID-No.: 2222501 - SD Economic E-1/15 © 2015 Pentair - All Rights Reserved.